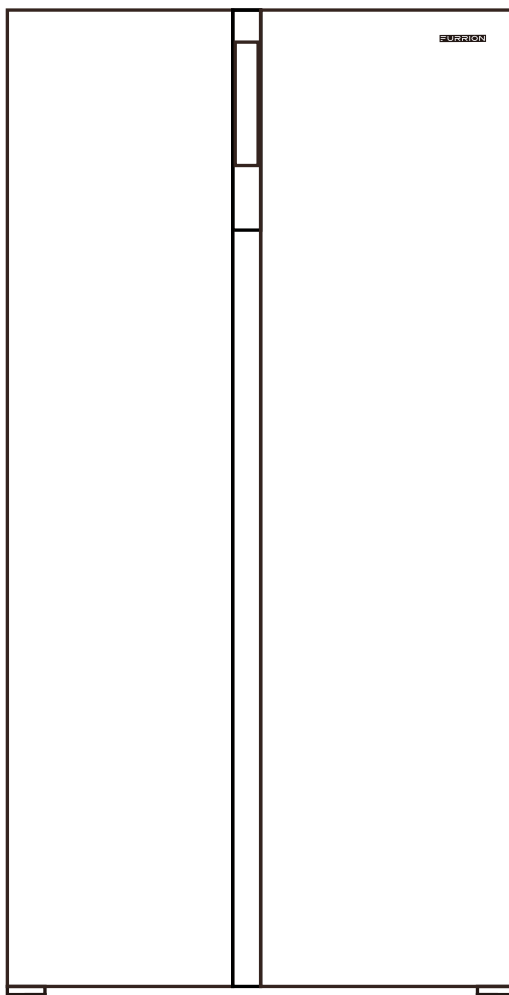


FURRION

15.6 cu.ft. Furrion Arctic 12 Volt Side by Side Residential Style Refrigerator

User Manual

**Model: FCR16DCASA-BG
FCR16DCASA-SS**



* Picture shown here is for reference only.

Thank you and congratulations for purchasing this Furrion product. Before operating your new product, please read these instructions carefully. This instruction manual contains information for safe use, installation and maintenance of the product. Please keep this instruction manual in a safe place for future reference. This will ensure safe use and reduce the risk of injury. Be sure to pass on this manual to new owners of this product.

The manufacturer does not accept responsibility for any damages due to not observing these instructions.

Table of Contents

Table of Contents	1
Explanation of Symbols	2
Important Safety Instructions	2
General Safety	2
Refrigerant	2
Daily Use	2
Installation	3
Service	3
In Case of Malfunction	3
Remove Transport Packaging	3
Correct Disposal of this product	3
Product Overview	4
Installation	4
What's in the Box	4
Before First Use	4
Specification	5
Site Preparation	5
Securing the Refrigerator	6
Operation	7
Control Panel	7
Function Selection	7
Controls	8
Food Storage	8
Accessories	10
Cleaning and Maintenance	11
Exterior Cleaning	11
Interior Cleaning	11
Tips for Storage of Frozen Food	11
Tips for Refrigeration	12
Traveling	12
At Power Failure	12
Energy Saving Tips	12
Troubleshooting	13
Normal Phenomena	13
Troubleshooting	14
Specification	14

Explanation of Symbols

This manual has safety information and instructions to help you eliminate or reduce the risk of accidents and injuries. Always respect all safety warnings identified with these symbols. A signal word will identify safety messages and property damage messages, and will indicate the degree or level of hazard seriousness.

DANGER

Indicates an imminently hazardous situation which, if not avoided, will result in death or serious injury.

WARNING

Indicates a potentially hazardous situation which, if not avoided, could result in death or serious injury.

CAUTION

Indicates a potentially hazardous situation which, if not avoided, may result in minor or moderate personal injury, or property damage.

Important Safety Instructions

General Safety

WARNING

- This appliance is intended to be used in household and similar applications such as:
 - Residential, mobile and recreational living homes.
 - Staff kitchen areas in shops, offices and other working environments;
 - Farm houses and by clients in hotels, motels and other residential type environments;
 - Bed and breakfast type environments;
 - Catering and similar non-retail applications.
- Do not store explosive substances such as aerosol cans with a flammable propellant in this appliance.
- If the supply cord is damaged, it must be replaced by the manufacturer, its service agent or similarly qualified persons in order to avoid a hazard.
- Keep ventilation openings, in the appliance enclosure or in the built-in structure, clear of obstruction.
- Do not use mechanical devices or other means to accelerate the defrosting process, other than those recommended by the manufacturer.
- Do not damage the refrigerant circuit.
- Do not use electrical appliances inside the food storage compartments of the appliance, unless they are of the type recommended by the manufacturer.
- The refrigerant and insulation blowing gas are flammable. When disposing of the appliance, do so only at an authorized waste disposal center. Do not expose to flame.
- When positioning the appliance, ensure the supply cord is not trapped or damaged.
- Do not locate multiple portable socket-outlets or portable power supplies at the rear of the appliance.
- To avoid a hazard due to instability of the appliance, it must be fixed in accordance with the instructions.

Refrigerant

DANGER

RISK OF FIRE OR EXPLOSION

- Flammable refrigerant used. Do not use mechanical devices to defrost refrigerator. Do not puncture refrigerant tubing.
- Flammable refrigerant used. To be repaired only by trained service personnel. Do not puncture refrigerant tubing.

CAUTION

RISK OF FIRE OR EXPLOSION

- Flammable refrigerant used. Consult repair manual/owner's guide before attempting to service this product. All safety precautions must be followed.
- Dispose of property in accordance with federal or local regulations. Flammable refrigerant used.
- Risk of fire or explosion due to puncture of refrigerant tubing; Follow handling instructions carefully. Flammable refrigerant used.

The refrigerant isobutane (R600a) is contained within the refrigerant circuit of the appliance, a natural gas with a high level of environmental compatibility, which is nevertheless flammable.



Risk of Fire

- During transportation and installation of the appliance, be certain that none of the components of the refrigerant circuit become damaged.
- If the refrigerant circuit should become damaged:
 - Avoid open flames and sources of ignition;
 - Thoroughly ventilate the room in which the appliance is situated.

Daily Use

- This appliance is not intended for use by persons (including children) with reduced physical, sensory or mental capabilities, or lack of experience and knowledge, unless they have been given supervision or instruction concerning use of the appliance by a person responsible for their safety.

- Do not store flammable gas or liquids in the appliance as there is a risk of an explosion.
- Do not operate any electrical appliances in the appliance (e.g. electric ice cream makers, mixers etc.).
- Do not place hot items near the plastic components of this appliance.
- Do not place food products directly against the air outlet on the rear wall.
- Store prepacked frozen food in accordance with the frozen food manufacturer's instructions.
- The appliance manufacturers storage recommendations should be strictly adhered to. Refer to relevant instructions for storage.
- Do not place carbonated or fizzy drinks in the freezer compartment as it creates pressure in the container, which may cause it to explode, resulting in damage to the appliance.
- Frozen food can cause frost burns if consumed straight from the freezer compartment.
- Do not place the appliance in direct sunlight.
- Keep burning candles, lamps and other items with naked flames away from the appliance as not to set the appliance on fire.
- The appliance is intended for keeping food stuff and/or beverages in normal household as explained in this instruction booklet.
- The appliance is heavy. Care should be taken when moving it.
- Do not remove or touch items from the freezer compartment if your hands are damp/wet, as this could cause skin abrasions or frost/freezer burns.
- Never use the base, drawers, doors etc. to stand on or as supports.
- Frozen food must not be refrozen once it has been thawed out.
- Do not consume ice Popsicles or ice cubes straight from the freezer as this can cause freezer burn to the mouth and lips.
- To avoid items falling and causing injury or damage to the appliance, do not overload the door racks or put too much food in the crisper drawers.
- Never cover or obstruct the ventilation slots on the appliance.

Installation

- For electrical connection carefully follow the instructions given in this manual.
- Unpack the appliance and check if there are damages on it. Do not connect the appliance if it is damaged. Report possible damages immediately to the place you bought it. In this case retain packing.
- It is advisable to wait at least four hours before connecting the appliance to allow the oil to flow back in the compressor.
- Adequate air circulation should be around the appliance, lacking this leads to overheating. To achieve sufficient ventilation, follow the instructions relevant to installation. Wherever possible the back of the product should not be too close to a wall to avoid touching or catching warm parts (compressor, condenser) to prevent the risk of a fire, follow the instructions relevant to installation.
- The appliance must not be located close to radiators or cookers.

Service

- Any electrical work required to do the servicing of the appliance should be carried out by qualified electrician or competent person.
- This product must be serviced by an authorized Service Centre, and only genuine spare parts must be used.

In Case of Malfunction

- If a malfunction occurs on the appliance, please look first in the "Troubleshooting" section of these instructions. If the information given there does not help, please do not perform any further repairs yourself.
- Under no circumstance should you attempt to repair the appliance yourself. Repairs carried out by inexperienced persons may cause injury or serious malfunctioning.

Remove Transport Packaging

The appliance and the interior fittings are protected for transportation. Pull off the adhesive tape on the left and right side of the door. You can remove any remnants of adhesive using mineral spirit. Remove all adhesive tape and packing pieces from the interior of the appliance.

Correct Disposal of this product

WARNING

RISK OF CHILD ENTRAPMENT

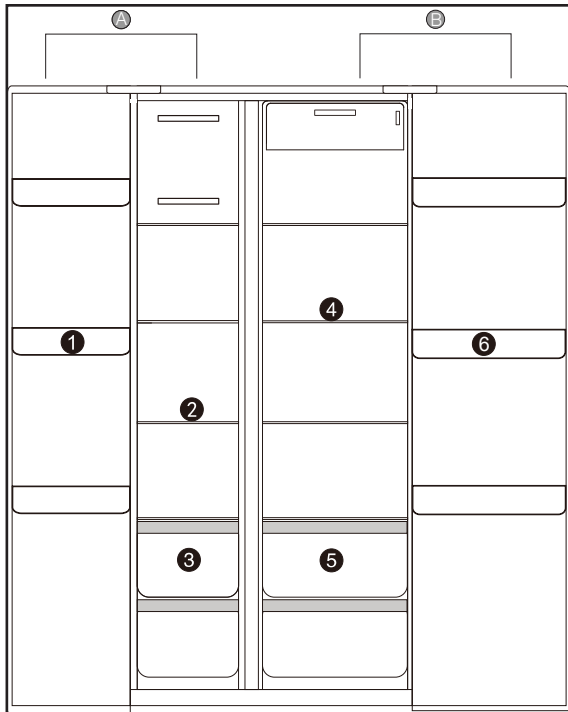
Before you throw away your old refrigerator or freezer:

- Take off the doors
- Leave the shelves in place so that children may not easily climb inside.

To prevent possible harm to the environment or human health from uncontrolled waste disposal, recycle it responsibly to promote the sustainable reuse of material resources. To return your used device, please use the return and collection systems or contact the retailer where the product was purchased. They can take this product for environmental safe recycling.

- Redundant appliances should not be disposed of with normal household waste but delivered to a collection and recycling center for electronic equipment. A symbol shown on the product, the instruction manual or the packaging shows that it is suitable for recycling.
- Materials used inside the appliance are recyclable and are labeled with information concerning this. By recycling materials or other parts from used devices, you are making a significant contribution to the protection of our environment. Information on appropriate disposal centers for used devices can be provided by your local authority.
- The packaging for this appliance is only necessary to provide effective protection during transport. These materials can be recycled where possible.

Product Overview



Item	Description
A	Freezer Compartment
1	Freezer Door Tray
2	Freezer Glass Shelves
3	Freezer Drawer
B	Refrigerator Compartment
4	Refrigerator Glass Shelves
5	Refrigerator Drawer
6	Refrigerator Door Tray

NOTE:

- Due to possible update of product from time to time, your refrigerator may be slightly different from this User Manual, but its function and operation remain the same.
- To get the best energy efficiency of this product, please place all shelves, drawer and baskets on their original position as the User Manual indicates.

Installation

⚠ WARNING

Before installing, read the instruction carefully for your safety and correct operation of the appliance.

⚠ CAUTION

To avoid personal injury or damages at least 2 people are required for the installation.

What's in the Box

Make sure you have all the following items included in the packaging. If any item is damaged or missing, contact your dealer.

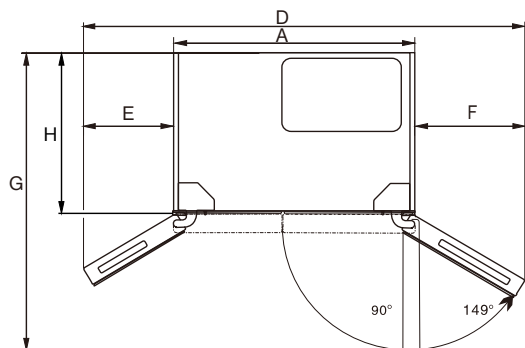
- Refrigerator x 1
- User Manual x 1
- Warranty Manual x 1

Installation and service must be performed by a recommended installer, service agency or electric supplier.

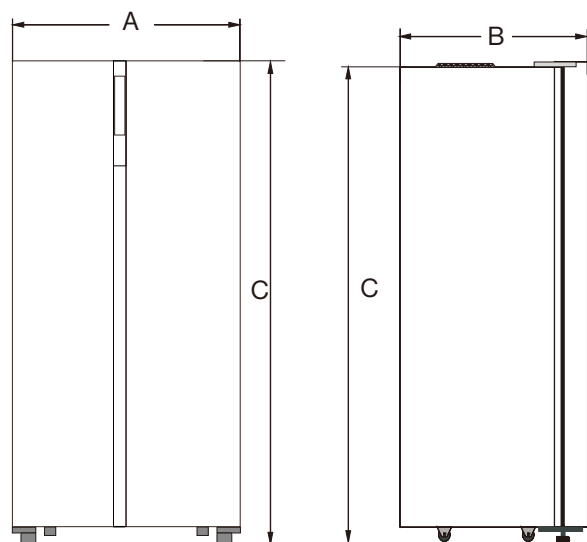
Before First Use

- Remove all packaging, including the foam backing at the bottom of refrigerator and the tapes fixing accessories in the box.
- Place the refrigerator in a proper up-right position, let it stand up-right for at least 4 hours before powering on.
- Remove the film: There is a layer of transparent film on the panel surface to protect it from being scratched. You can choose to remove or leave the film as needed.
- Review product specifications below to plan for proper clearances in and around the enclosure.

Specification



Top View



Front View

Side View

Dimension			
A	32" 836mm	E	12½" 319mm
B	25" 636mm	F	13½" 343mm
C	70" 1780mm	G	40" 1020mm
D	59" 1498mm	H	21⅞" 554mm

NOTE:

- The product must be correctly installed, located and operated in accordance with the instructions contained in the User Manual provided.
- Parameters provided in table are design parameters. Because of the various reasons, there will be a slight deviation between actual dimension and design parameter. The data listed are only for reference.

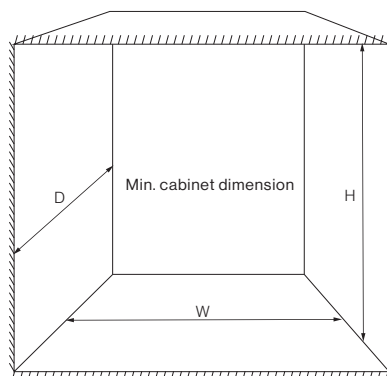
Site Preparation

Select Location

- Your new refrigerator must stand on a flat surface which should support a weight of 529Lbs (240kg). Surface must be level relative to the coach floor plane.
NOTE: A slope that is comfortable to live with, and from normal transportation is acceptable.
- If the appliance is to be placed onto the carpet, support it with a wooden board. Do not place the appliance directly on the carpet, as the heat from the compressor may cause the carpet to fade.
- For best and most efficient operation, the refrigerator should operate within 50°F ~ 109°F (10°C ~ 43°C). If installing near large heat sources, such as furnaces, fireplaces, furnaces, etc. Ensure a thermal barrier, such as wood paneling, isolates the refrigerator space as not to hinder performance of the appliance.

Refrigerator Cabinet/Enclosure Preparation

- Position the appliance away from sources of heat such as stoves, radiators, direct sunlight, direct weather such as rain, etc.



W	Min. 33⅞" (861mm)
H	Min. 71" (1805mm)
D	Min. 24¾" (630mm)

NOTE: Dimensions include the required clearance for venting.

Electrical Connection

⚠ WARNING

Any electrical work required to install this appliance should be carried out by a qualified or competent person.

All Furrion products referenced in this manual is to be installed in accordance with local and national codes, including the latest editions of the following standards:

USA:

- NFPA 1192
- NFPA 70
- ANSI/RVIA low Voltage

Canada:

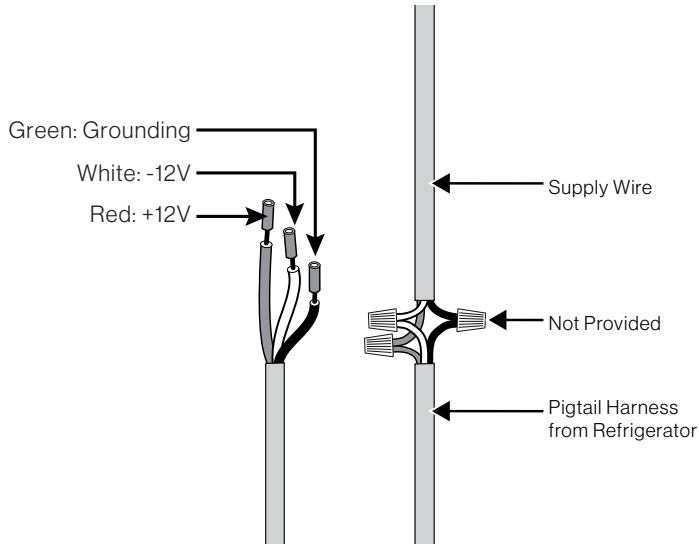
- C22.1
- CSA Z240

The refrigerator is powered by nominal DC12V, wire size (AWG) is important to prevent significant voltage drop. Directly connect 12V+ to the DC12V power source. Fuse the wire appropriately within 18" of the DC12V power source for the wire size/rating used.

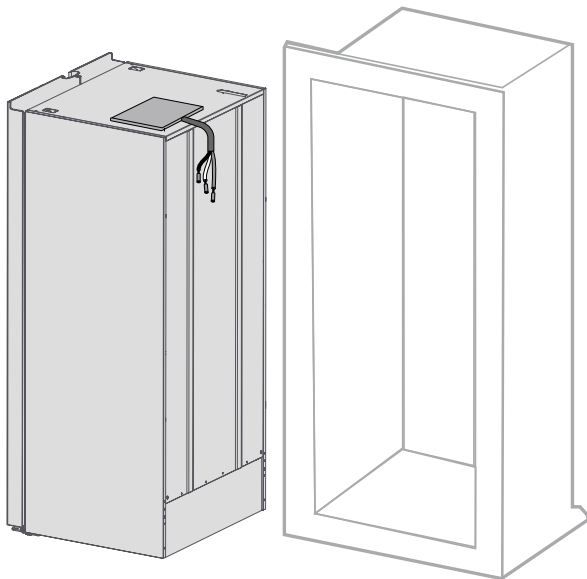
The following is a guideline for wire lengths:

- 15ft or less = 10AWG
- 15ft to 25ft = 8AWG
- 25ft to 40ft = 6AWG

NOTE: The connection can be made to the house mini breaker, if the breaker rating is appropriate for the wire used.



- Enter service wire into the cabinet space. It is acceptable to enter through the cabinet floor, sidewall or ceiling. Ensure that the wire enters within the free cabinet space behind the refrigerator.
- Furrion recommends dropping the 12V feed wire from the upper ceiling or upper rear wall. Temporarily affix the wires to the upper half of the appliance with tape so that excess wire will droop without risk of rubbing with the appliance chassis and floor during installation.



Confirm Wire Size by Measuring Overall Voltage Drop:

Start the appliance from warm, measure voltage difference between the DC12V power source terminal and connection on the appliance.

Adjust wire size if the difference exceeds 0.3-0.4V DC.

NOTE: The refrigerator is powered by DC 12V and must be supplied at SAFETY EXTRA-LOW VOLTAGE circuit.

Drainage Preparation

The cavity condensate drainage is captured in a drain pan integrated with the unit. No external drainage needs to be prepared at this point.

Securing the Refrigerator

⚠ WARNING

FIRE AND ELECTRICAL SHOCK HAZARD

- The appliance contains hidden refrigerant lines and electrical wiring. Follow all guidance in this section to prevent death, injury or property damage

For mobile applications, it is imperative to determine a sufficient securing method to prevent sliding and tipping of the appliance during transportation. Furrion is not providing sufficient mounting methods, but providing guidelines to consider when evaluating.

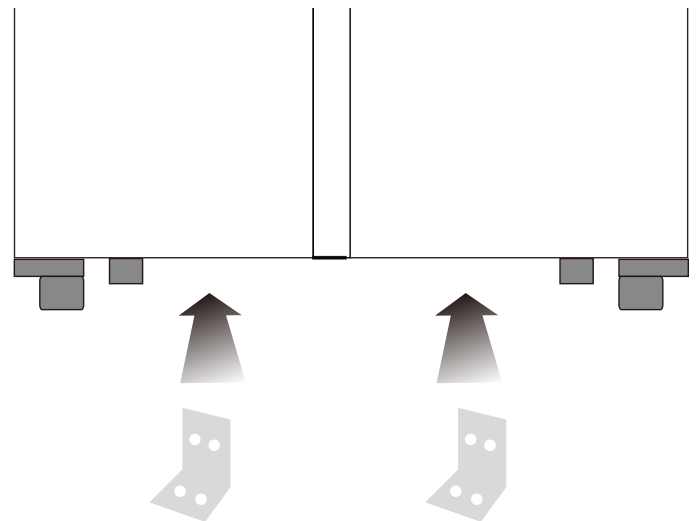
Body Mounting

⚠ WARNING

FIRE AND ELECTRICAL SHOCK HAZARD

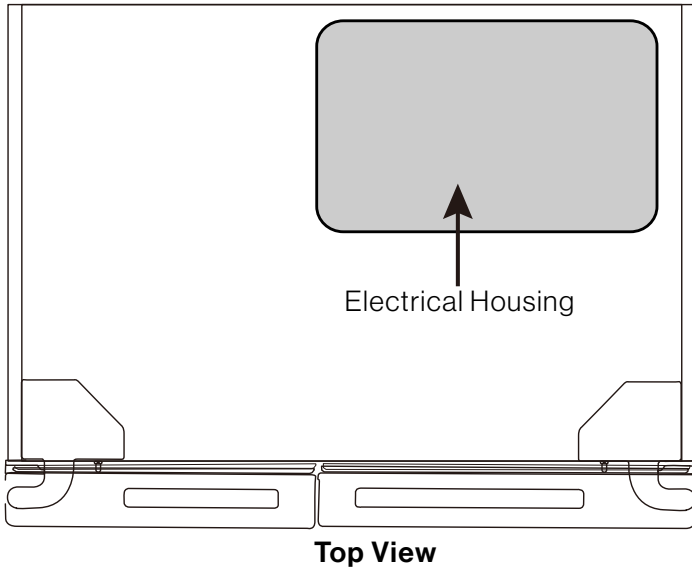
DO NOT pierce screws into any surface of the refrigerator as there is a risk of refrigeration leak or electrical shock hazard.

It is acceptable to use brackets to mount to the body's front frame of the fridge and the floor to hold the fridge in place.



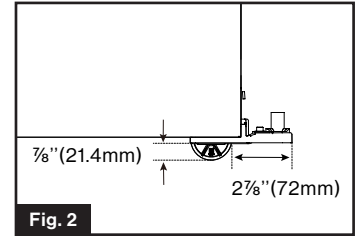
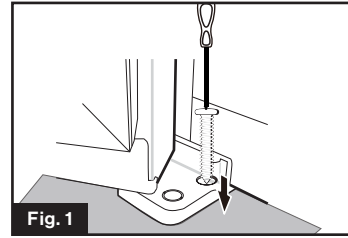
Top Restraints

- If restraints are used to mount or contact the top surface of the appliance, avoid contact with the gray plastic electrical cover to prevent damage. (Fig. 3)



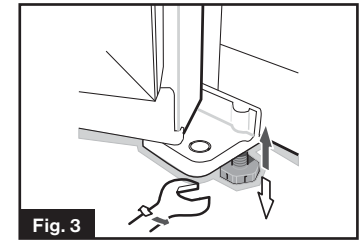
Hinge Mounting

If using the hinge as a securing method (Fig. 1), support the bottom of the hinge with a wood trim/block to prevent bending/damage to the hinge. The wood block can also be used to choke the wheel from moving. (Fig. 2).



Levelling (Optional)

Screw the leveling feet into the bottom hinges in appropriate depth until the refrigerator is leveled. (Fig. 3)



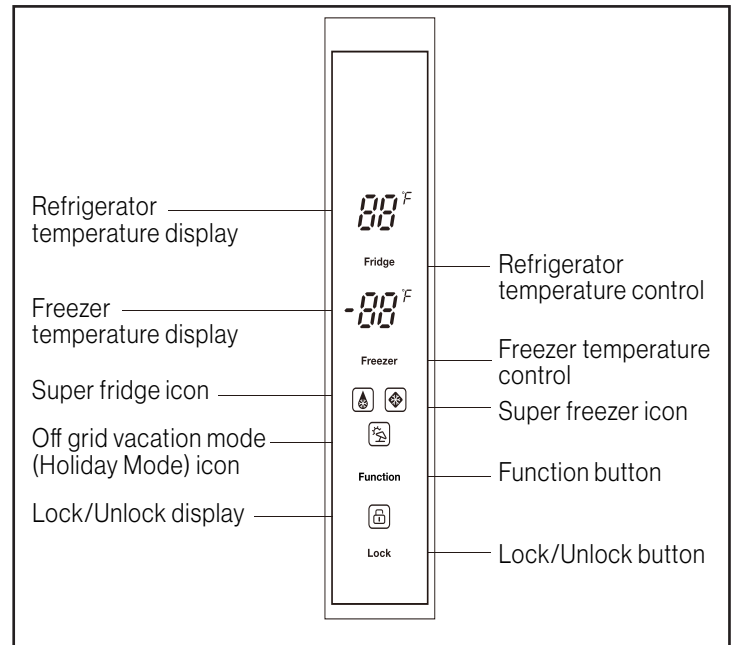
Operation

Control Panel

- All functions and controls of the unit are accessible from a control panel conveniently located on the front of the door. A display circuit board allows easy configuration of features and settings in a simple and intuitive manner.
- The display board consists of four buttons. You will hear a short beep when you press the buttons.
- To ensure the normal operation of the refrigerator, we recommend that when you start your refrigerator for the first time, set the temperature of the refrigerator compartment to 41 °F and the freezer compartment to 0 °F.
- However, the exact setting should be chosen keeping in mind that the temperature inside is dependent on:
 - Room temperature
 - How often the door is opened
 - Quantity of food stored
 - Appliance location

NOTE:

- When the refrigerator starts up, it is in the default mode of Energy Saving, which is to save energy and prolong the service life of LED lights. The screen illuminates for 20s and then goes off.



Function Selection

Press **Function** button to select operating mode following the sequence of **Off Grid Vacation Mode (Holiday Mode) > Super Freezer Mode > Super Fridge Mode**. Stop cycling on desired setting to select mode. And the corresponding mode icon will illuminate.

On/Off

- Long press **Function** button for 5 seconds to turn the refrigerator's LOW POWER mode on/off.
- Temperature display illuminates with --, long press **Function** button for 5 seconds to turn refrigerator back on.

Off Grid Vacation Mode (Holiday Mode)

In this mode, the refrigerator runs at 43 °F and the freezer runs at 5 °F.

Setting this mode can help conserve energy after disconnecting from shore power, and using only DC12V power source and solar power sources. Limit the frequency of door openings, and length of time open. Sensitive foods should be consumed more quickly, and stored toward the rear of the fridge to maintain freshness.

To optimize DC12V power source runtime performance:

- Ensure the refrigerator and food stored is down to desired temperature before disconnecting shore power.
- Avoid adding significant amounts of warm items, especially beverages, at one time unless already cooled.
- Adding new items is best in the morning to utilize solar power (if available) during the day to bring the temperature back down without consuming DC12V power source capacity.

Super Freezer Mode

When the Super Freezer Mode is selected, the compressor will operate continuously to freeze foods faster, and keep them fresh. The super freezer mode will automatically turn off either after 24 hours of operation or when the freezer sensor reaches -18°F. The super freezer icon will turn off, and the freezer will continue to operate at the last temperature setting you have set before.

Super Fridge Mode

When the super fridge mode is selected, the fridge compartment reaches the set temperature in the shortest period, in order to keep the food as fresh as possible. In this mode, the set temperature of the fridge compartment locks on 32°F.

The program runs 150mins then exits automatically, the super fridge icon goes out, which means the super fridge function is disabled, the temperature setting returns to the last one before the super fridge mode operates.

Controls

Fridge Settings

You can change the temperature or settings of the refrigerator compartment by pressing the "**Fridge**" icon under the temperature display.

The default temperature of the refrigerator compartment is 41°F. To change the temperature press the "**Fridge**" button to cycle through the set temperatures: 41°F > 39°F > 38°F > 36°F > 34°F > 32°F > 43°F.

Stop cycling when the desired setting is selected.

Freezer Settings

You can change the temperature or settings of the freezer compartment by pressing the text '**Freezer**' under the temperature display.

The default temperature of the refrigerator compartment is 0°F. To change the temperature press the "**Freezer**" button to cycle through the set temperatures: 0°F > -2°F > -4°F > -6°F > -8°F > -10°F > 5°F > 4°F > 2°F.

Stop cycling when the desired setting is selected.

Lock/Unlock

- This refrigerator is able to lock the control panel to stop accidental operation.
- All buttons are locked if you press the **Lock/Unlock** button.
- The lock icon is illuminated when the control panel is locked.
- Hold the **Lock/Unlock** button for 3 seconds to Unlock. And the lock icon is no longer displayed.

Open Door Alarm

When the refrigerator door is left open for more than 1 minute a buzzer will alarm to remind you the door is open. After the door is closed, the alarm sound will stop automatically.

Food Storage

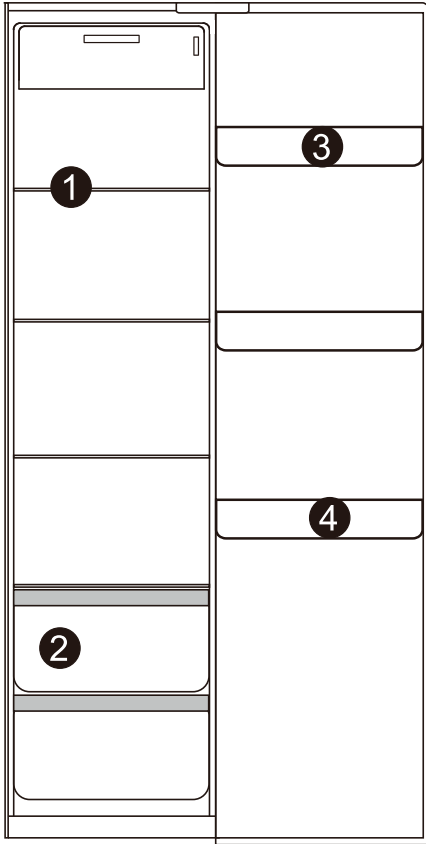
IMPORTANT!

- When storing freezing foods, put them to the inside of freezer chamber, other than the bottle rack.
- Do not put bottled or canned foods into the freezer chamber to prevent frost cracking.
- Before putting hot foods into the refrigerator, cool them down to room temperature first; otherwise, power consumption will increase.
- Mark the freezing date on the packaging bag according to different storage lives of foods, so as to prevent foods from exceeding the freezing time limit.
- Divide foods into proper pieces and package them separately so as to freeze thoroughly and avoid being frozen together.
- The packaging materials shall be odorless, airtight, watertight and pollution-free, so packaged foods are not tainted by other odor and without quality reduction.
- Do not put too many fresh foods into the freezing chamber at once, preferably not exceeding the freezing capacity value of refrigerator.
- Melted foods cannot be frozen again, unless they are made into dishes; otherwise, their appearance will be affected.
- Glass bottles or containers shall not be placed into the freezer chamber or at the air outlet of fridge chamber duct, otherwise they may explode.
- Foods cannot block the air outlet, otherwise abnormal air circulation will be caused.

Refrigerator Chamber

The refrigerator chamber is mainly used to store foods that are preserved for a short time.

The refrigerator chamber is suitable for storing fruits, vegetables, drinks and other foods that will be consumed in a short period of time. It is suggested to seal foods into a container and then put them into the refrigerator.



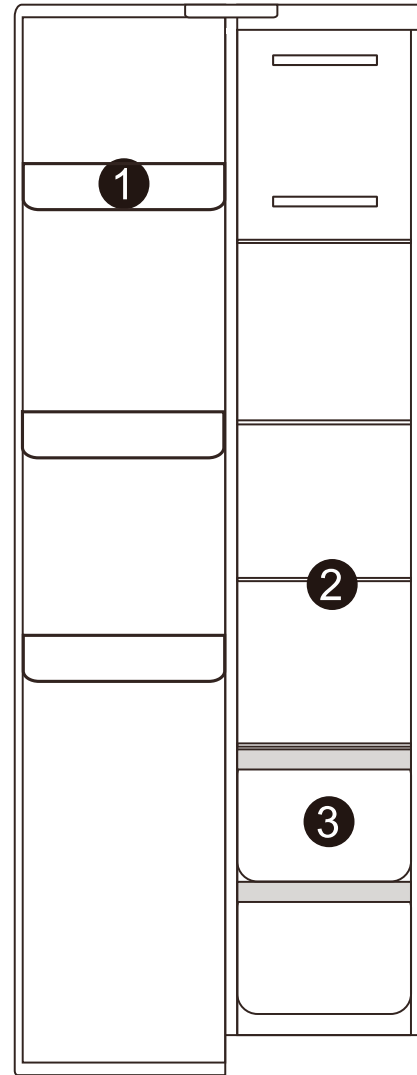
Item	Description	
①	Glass Shelves	Drinks, Wheaten Foods, Milk, etc.
②	Drawer	Fruits, Vegetables, etc.
③	Top Tray	Dairy Products, Odorous Foods, etc.
④	Bottle Rack	Thin Packaged Foods, etc.

Freezer Chamber

The freezer chamber is used to freeze foods, store deeply frozen foods and make ice cubes.

It can preserve foods for a long time.

The freezing chamber is suitable for retaining the freshness of foods for a long time. When storing meat, it is suggested to cut the meat into pieces which are easy to take out, and mark the freezing date to prevent foods from exceeding the time limit.



Item	Description	
①	Upper Bottle Rack	Small frozen articles
②	Glass Shelf	Frozen foods such as fish, meat & ice cream
③	Drawer	Packaged Frozen Foods, etc.

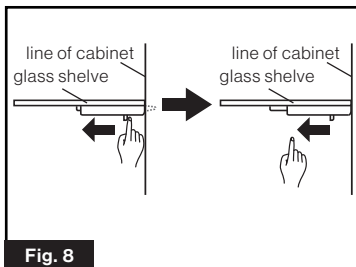
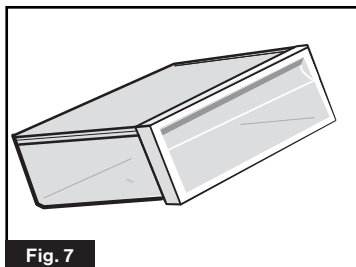
Accessories

Fruit & Vegetable Box

The refrigerator chamber has a fruit and vegetable box, which can retain the moisture of fruits and vegetables and keep the humidity of the box properly. It is suitable for storing fruits and vegetables. (Fig. 7)

Glass Shelves

When removing shelving press the movable pin under the shelf with both hands and push inward at the same time. Then the glass shelf will be removed. (Fig. 8)



Bottle Shelves

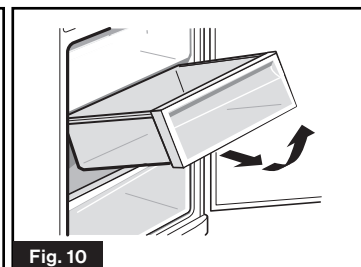
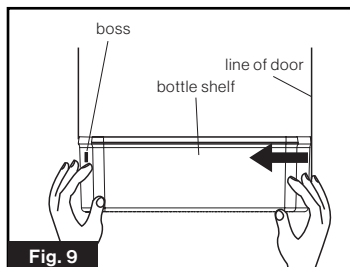
Disassembly: Hold both sides of the bottle shelf with both hands. Push it from the side without the boss and push it inward as the direction of the arrow. When pushing hard, please note that the buckle on the edge of bottle shelf is

separated from the groove of the liner. Then bottle shelf can be removed.

Installation: Hold both sides of the bottle shelf with both hands. Install the buckle of the boss side at first. Then push the other side inward slightly, the buckle can be fixed. (Fig. 9)

Drawer of the Freezer Chamber

The upper drawer of freezer chamber can freeze and store large volume foods, and the lower drawer is mainly used to store frozen foods. (Fig. 10)



⚠ CAUTION

To avoid damage of the liner, clean the fridge immediately when food or liquids spills over. Oily liquids / food, like a soup can lead to cracks or corrosion in the liner.

Cleaning and Maintenance

⚠ DANGER

ELECTRIC SHOCK!

Always disconnect power before cleaning or maintenance

- Do not clean the appliance with metal objects, steam cleaner, ethereal oils, organic solvents or abrasive cleansers.
- Do not use sharp objects to remove frost from the appliance.
- Use a plastic scraper.

Exterior Cleaning

⚠ CAUTION

Don't use Thinner, Car detergent, Clorox, ethereal oil, abrasive cleansers or organic solvent such as Benzene for cleaning as they may damage the surface of the appliance and may cause fire.

To maintain good appearance of your appliance, you should clean it regularly.

Wipe the digital panel and display panel with a clean, soft cloth.

Spray water onto the cleaning cloth instead of spraying directly on the surface of the appliance. This helps ensure an even distribution of moisture to the surface.

Clean the doors and cabinet surfaces with a mild detergent and then wipe dry with a soft cloth.

IMPORTANT!

- Remove the food from the appliance before cleaning. Store them in a cool place and well covered.
- Never clean the appliance with a steam cleaner. Moisture could accumulate in electrical components.

Interior Cleaning

You should clean the appliance interior regularly. Follow the below steps:

- Remove all food.
- Wipe the inside of the fridge freezer with a weak solution of baking soda, and then rinse with warm water using a wrung-out sponge or cloth.
- Wipe completely dry before replacing the shelves and baskets. Thoroughly dry all surface and removable parts.

Although this appliance automatically defrosts, a layer of frost may occur on the freezer compartment's interior walls if the freezer door is opened frequently or kept open too long.

If the frost is too thick proceed as follows:

- Remove existing food and accessories baskets, switch off the power supply of the refrigerator and leave the doors open.
- Ventilate the room thoroughly to accelerate the thawing process.
- When defrosting is completed, clean your freezer as described above.

⚠ CAUTION

Only after the interior is completely dry the appliance should be switched back on.

Defrosting

This appliance has an automatic defrosting function without manual operation.

Door Seals Cleaning

Take care to keep door seals clean. Sticky food and drinks can cause seals to stick to the cabinet and tear when you open the door.

Wash seals with a mild detergent and warm water.

Rinse and dry it thoroughly after cleaning.

NOTE: Only after the door seals are completely dry the appliance should be powered on.

Tips for Storage of Frozen Food

To obtain the best performance from this appliance, you should:

- Be sure that frozen foods are transferred from the food store to the freezer in the shortest possible time.
- Do not open the door frequently or leave it open longer than absolutely necessary.
- Once defrosted, food deteriorate rapidly and cannot be re-frozen.
- Do not exceed the storage period indicated by the food manufacturer.
- Hot vapours can lead to the damage of plastic parts.
- Ethereal oils and organic solvents can attack plastic parts, e.g. lemon juice or the juice from orange peel, butyric acid, a cleanser that contain acetic acid. Do not allow such substances to come into contact with appliance parts.
- Do not use any abrasive cleansers.
- Clean the appliance and the interior accessories with a cloth and lukewarm water. Commercially available dishwashing detergents may also be used.
- After cleaning wipe with fresh water and clean dishcloth.
- Check the water drain hole on the rear wall of the refrigerator compartment. Clear a blocked drain hole with the aid of something like a soft green peg, take care not to damage the cabinet.
- After everything is dry place appliance back into service.

Tips for Refrigeration

- Meat (all types): wrap in polyethylene (plastic) bags and place on the glass shelf above the vegetable drawer. To avoid food poisoning or contamination store meats properly wrapped for one or two days only.
- Cooked foods, cold dishes; these should be covered and may be placed on any shelf.
- Fruit and vegetables: thoroughly cleaned and placed in the special drawer provided.
- Dairy: placed in aluminum foil or polyethylene (plastic) bags while removing as much air as possible.
- Milk bottles: capped and stored in the bottle rack on the door.

Traveling

Your refrigerator is designed to operate during normal transportation of your coach. Please refer to the following guidelines to assist during transportation.

- Always travel with the doors closed and ensure will not open during traveling.
- Avoid traveling with food in the cavity. Wait until you have arrived to your destination and remove any remaining food before departing.
- Turn refrigerator to "OFF" (LOW POWER MODE) if climbing/crawling any off-road grades. Compressor oil should resettle within 2 hours.
- Ensure the refrigerator has reached a desired stable temperature before departing for your trip. Avoid storing temperature sensitive items in the refrigerator while you are traveling unless a DC12V power source power source is available. During towing, the refrigerator can be operated as normal, as the tow vehicle should charge the DC12V power source. See Off-grid Vacation Mode for conserving power.
- Once you arrive at your destination, use the refrigerator as instructed in this manual.

STORAGE / WINTERIZATION

- A DC12V power source maintainer should be used for long storage, to keep a full charge.
- If the appliance is in storage, and not intended to be in operation, disconnect power, clean the inside thoroughly, and leave the doors propped open to avoid abnormal odors from developing.
- To prevent quick discharging of the batteries, the refrigerator can be turned off to enter LOW POWER mode. Both the temperature displays will show "--". Press and hold the **FUNCTION** for 5 seconds to cycle between ON/OFF.
- In LOW POWER mode, the interior lights, compressor and defroster are turned off.

At Power Failure

- Generally, short-term power failure will not affect the temperature of the refrigerator. However, if power failure lasts for a long time, you shall reduce the opening frequency of refrigerator, and shall not put fresh foods into the refrigerator (prevent rise in the temperature of refrigerator from speeding up).
- If you know power failure is coming, you can turn on the "Super Freezer" function in advance to keep the temperature of refrigerator to the lowest value.

Shut Down

- Generally, it is not suggested to stop refrigerator or turn off the power switch; otherwise, the lifetime of refrigerator may be affected.

Energy Saving Tips

- Make sure to keep the refrigerator away from heat sources and direct sunlight.
- Before storing hot foods, cool them down to room temperature and then put them into the refrigerator.
- Close the door timely, reduce the opening frequency, and shorten the opening time.
- When unfreezing frozen foods, you can put them into the refrigerator chamber, which will assist in refrigeration of the refrigerator chamber.
- Make sure that the temperature sensor is not covered or blocked by foods, and keep proper distance with foods.

Troubleshooting

WARNING

Before troubleshooting, disconnect the power supply.

IMPORTANT!

When the compressor is being turned on, the refrigerator creates some sounds / noises, like gurgling - this is perfectly normal.

Repairs to refrigerators/freezers may only be performed by competent service engineers. Improper repairs can give rise to significant hazards for the user. If your appliance needs repairing, please contact your specialist dealer or your local Service Centre.

Normal Phenomena

Phenomena	Solution
Button Failure	Please check the control board whether the fridge is in lock mode. When in Lock mode, all buttons can't work.
Low voltage, the compressor can't start	Charge the RV-batteries by connecting the RV to the shore power.
Long time to start	When the surrounding ambient temperature is high, it will take a while to feel the compartments cooling.
Middle beams feel hot	Middle beams feel hot after a period of time of the appliance run, it is a normal phenomenon.
Dew drops	When external air flows into the cool inner surface of the fridge, dew drops can be formed. If the humidity of the installed location is high or during the rainy season, dew drops can form on the outer side of the fridge. This is a natural phenomenon that occurs during the humid weather, Wipe the water drops with a dry cloth.
Noise	When you operate the fridge for the first time, the fridge will operate at high speed to cool fast and the sound can seem louder. When the internal temperature falls below a certain level, the noise will subside. When the compressor is starting up, or stopping, various parts may expand or contract. This may generate some audible sounds, noises, which are perfectly normal.
Compressor hot	When working, the temperature of the compressor housing may rise to more than 176 °F - please do not touch the compressor, it may cause serious injury.
Compressor long time running	When the ambient temperature is too high or put too much fresh foods into the fridge, it will take long time to cool down until the appliance runs at the setting temperature.
Light is not working	Contact Manufacturer
	If door has been left open too long lights will be deactivated. Close & reopen the door to activate
Middle beam feels hot	Normal phenomenon.
Both the temperature displays show "--" and interior lights are off	The refrigerator is in Low Power mode. Press and hold the Function button for 5 seconds to exit the Low Power mode

Troubleshooting

Before contacting the Furrion Customer Service:

1. Try to solve the problem yourself following the points described in the table below.
2. Turn off the appliance and restart it to see if the fault persists.

Trouble	Possible Cause	Solution
No display on the display panel	Appliance is not switched on	Switch on the appliance.
	RV batteries are empty.	Recharge the DC12V power source (by connecting RV to the shore power).
	Fuse is blown or defective	Check fuse, replace if necessary.
	DC connecting wires are intermittent / broken	Such malfunctions are to be corrected by an electrician.
Alarm sound	Door is slightly open or not closed for more than 1 minute	Close the door completely.
Compressor doesn't work	Under defrosting mode	Normal for defrosting.
	DC12V power source voltage is too low or DC12V power source is too weak.	Charge / replace DC12V power source.
Vibrating noise	Floor is uneven or weak	Be sure the floor is even and solid and can adequately support the fridge.
	Items placed on the top of the fridge are vibrating	Remove items.
	Fridge touches the wall or cabinet	Move fridge so that it does not touch the wall or cabinet.
Layer of Frost in compartment	Blocked air outlets	Check air outlets not blocked, ensure food placed in appliance has sufficient ventilation
Doors can't be closed easily	Blockage	<ul style="list-style-type: none"> • Check nothing internal is trapped in the door. • Tilt the refrigerator back to allow self-closing mechanism
Light is not working	Damaged LED	Contact Manufacturer
	Control system disabled lights	If door has been left open too long lights will be deactivated. Close & reopen the door to activate

Specification

Specifications	
Total Capacity	15.6 cu. ft. (442L)
Freezer Capacity	6.08 cu. ft. (172L)
Fridge Capacity	9.54 cu. ft. (270L)
Noise (dB)	≤42dB
Door Type	Side by Side
Handle	Recessed Handle
Control Type	LED Display with electronic control
No. of Shelves	6
No. of Crisper	4
Cooling Type	Compression cooling system

Specifications	
Refrigerant	R600a
Rated Voltage	DC 12V
Rated Current	19A (≤ 20A)
Power Consumption	667kWh/year
Off-Grid Rating	5.3Ah @ 77°F (25°C)
Temperature Range	Refrigerator: 32°F to 43°F (0°C to 6°C) adjustable Freezer: -10°F to 5°F (-23°C to -15°C) adjustable
Working Temperature Range	50°F to 110°F (10°C to 43°C)
Defrost	Automatic
Certification	CSA



Furrion Innovation Center & Institute of Technology

- 52567 Independence Ct., Elkhart, IN 46514, USA • Toll free:1-800-789-3341
- Email: support@furrion.com

©2007-2021 Furrion Ltd. Furrion® and the Furrion logo are trademarks licensed for use by Furrion Ltd. and registered in the U.S. and other countries.

For Patent Info: www.furrion.com/pages/patents

www.furrion.com

IM-FHA00108 V2.0